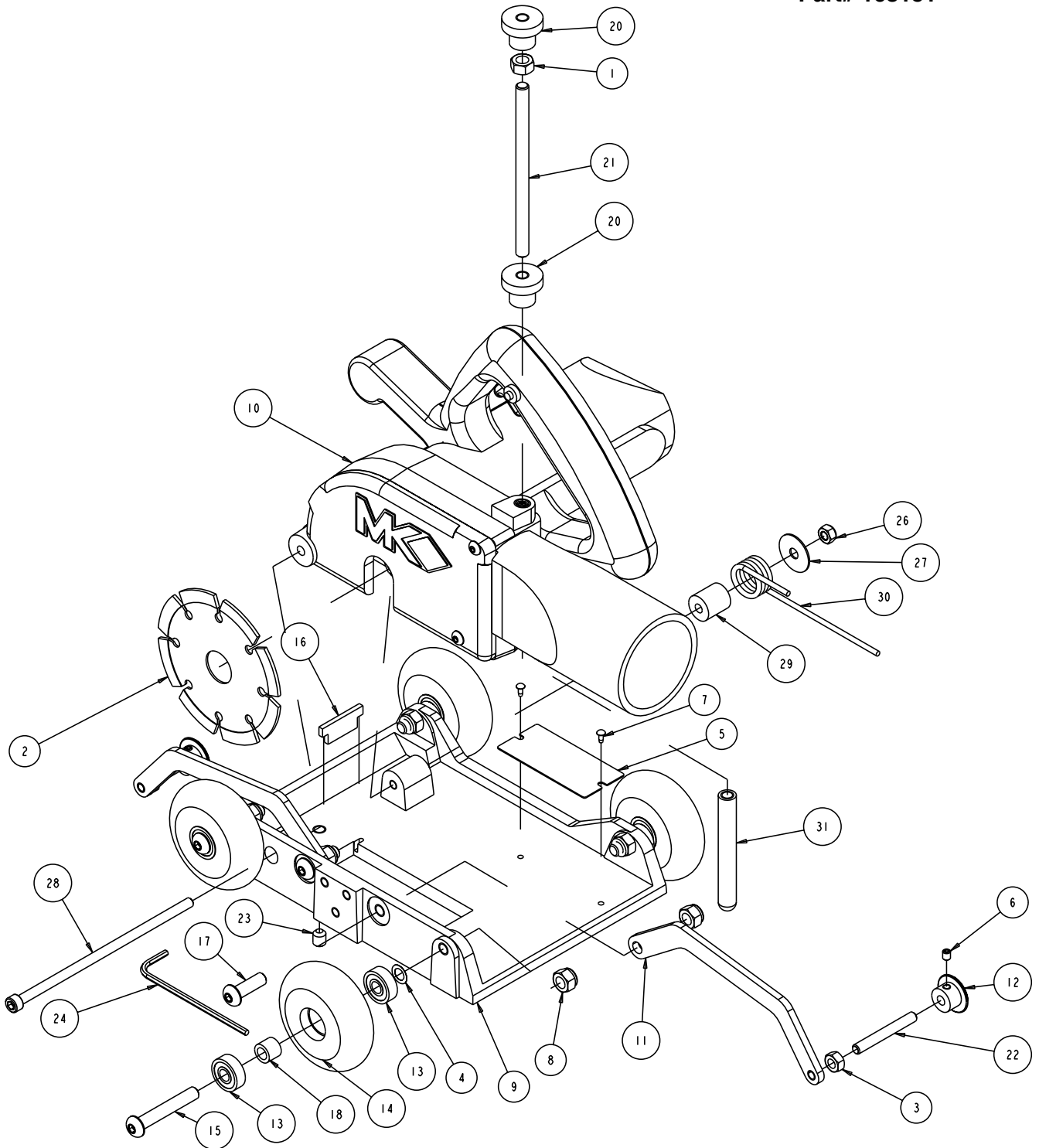
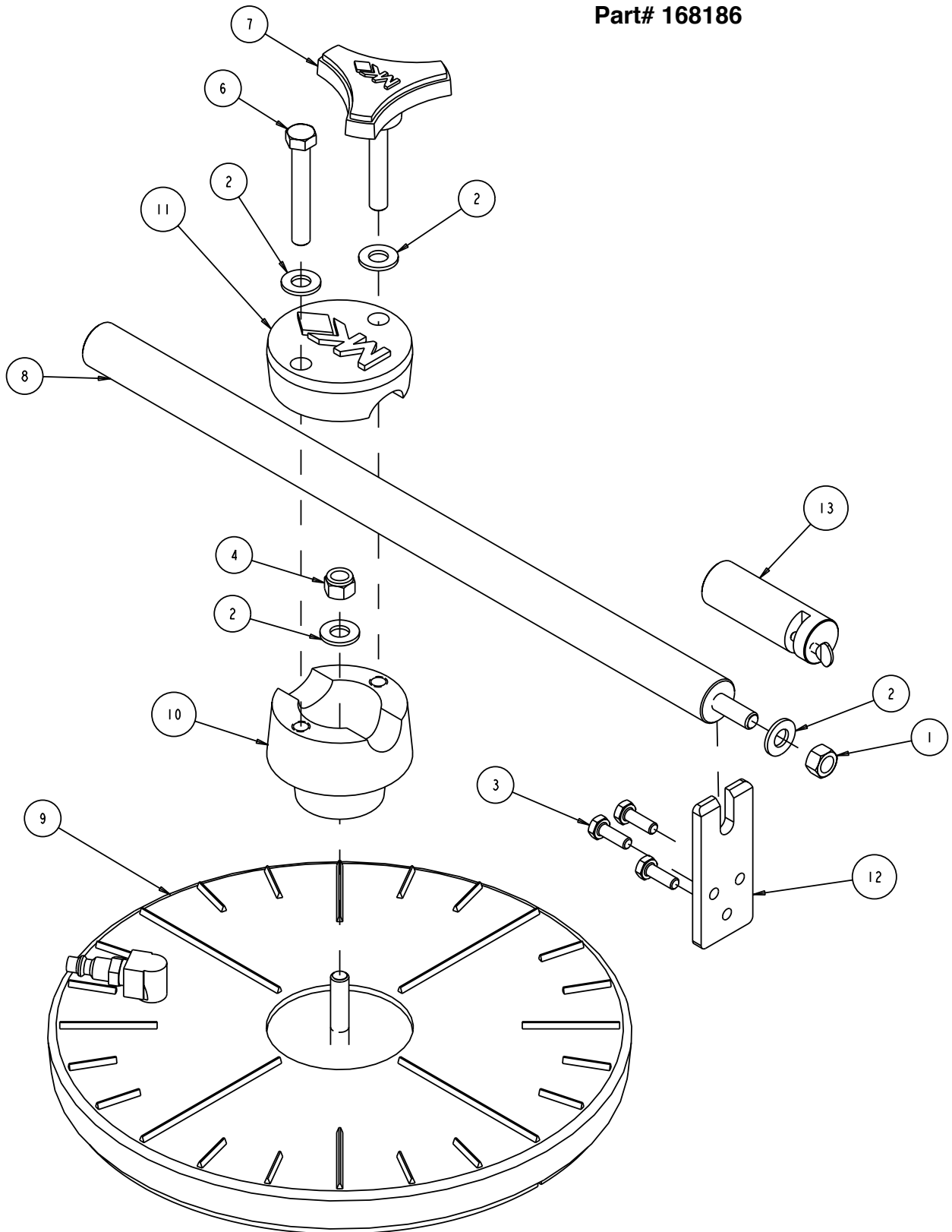


Part# 168151



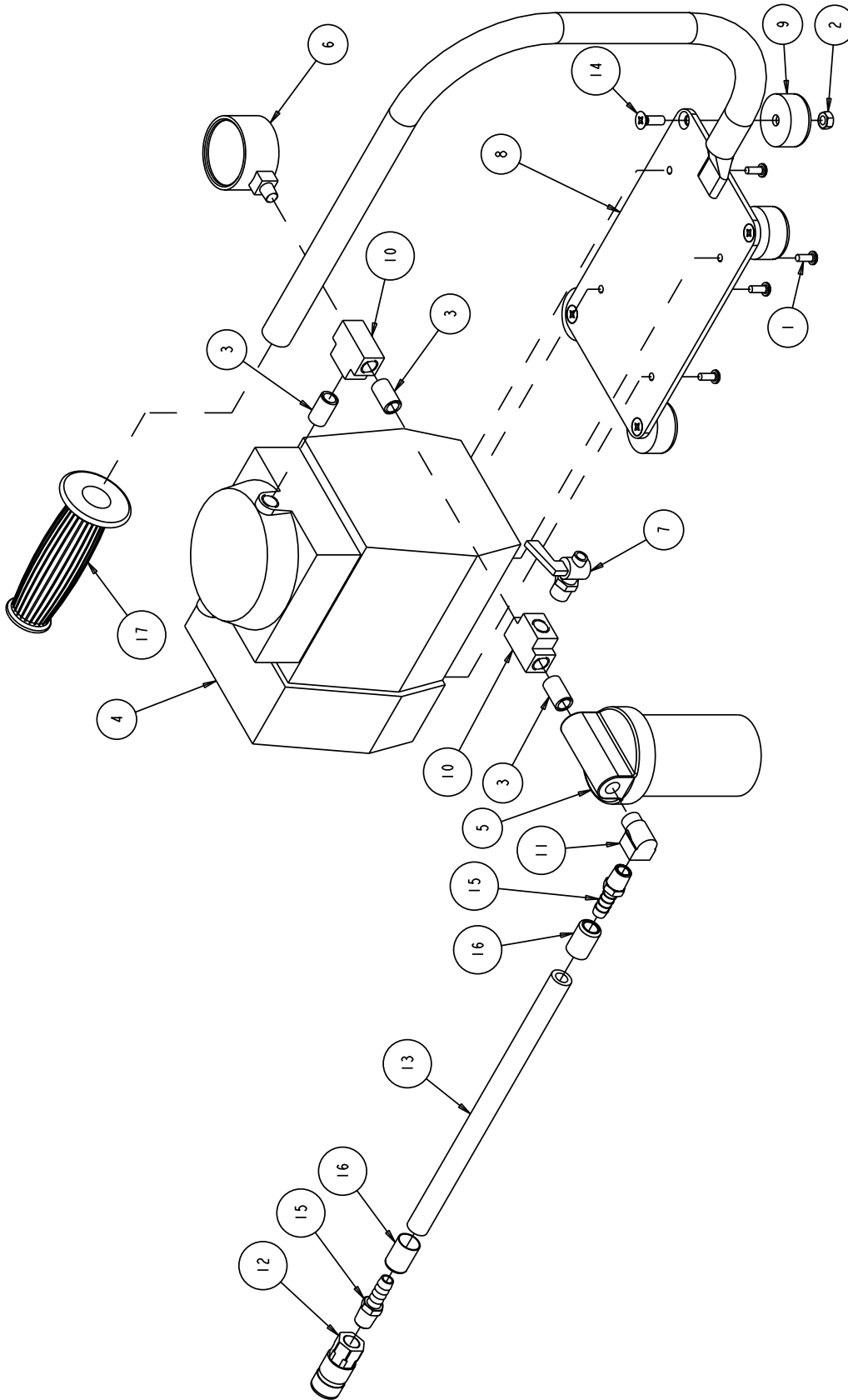
| ITEM | DESCRIPTION                         | QTY. | PART#     |
|------|-------------------------------------|------|-----------|
| 1    | NUT, HEX, 5/16 - 18                 | 2    | 101196    |
| 2    | BLADE, MK-304D 4 X 080X 20MM - 5/8  | 1    | 150686    |
| 3    | NUT, HEX, 1/4 - 20                  | 2    | 151893    |
| 4    | SHIM, 1/2 OD X 5/16 ID X .004" THK. | 4    | 152519    |
| 5    | TAG, SERIAL NUMBER, BLANK           | 1    | 157500-RW |
| 6    | SCREW, SOCKET HEAD SET 10 -24 X 1/4 | 2    | 157552    |
| 7    | DRIVE SCREW, #7 X 5/16 ROUND HEAD   | 2    | 157849    |
| 8    | NUT, HEX, NYLK, 5/16 - 18           | 6    | 158289    |
| 9    | CASTING, BASE COMP                  | 1    | 168169    |
| 10   | ASSY, CUTTING HEAD                  | 1    | 168174    |
| 11   | ARM, POINTER                        | 2    | 168175    |
| 12   | WHEEL, POINTER                      | 2    | 168176    |
| 13   | BEARING, WHEEL                      | 8    | 168177    |
| 14   | WHEEL, RUBBER 72MM                  | 4    | 168178    |
| 15   | SCREW, BHCS, 5/16 - 18 X 2          | 4    | 168195    |
| 16   | WIPER, RUBBER                       | 1    | 168217    |
| 17   | SCREW, BHCS, 5/16 - 18 X 1          | 2    | 168219    |
| 18   | SPACER, WHEEL 8MM X 12.7MM X 10MM   | 4    | 168235    |
| 19   | OWNERS, MANUAL, MK-S                | 1    | 168238    |
| 20   | KNOB, 5/16 - 18 X 1                 | 2    | 168239    |
| 21   | STUD, 5/16 - 18 X 5                 | 1    | 168240    |
| 22   | STUD, 1/4 - 20 X 2-1/2              | 2    | 168241    |
| 23   | SCREW, SOC HD SET, 5/16 18 X 3/8    | 1    | 168242    |
| 24   | WRENCH, 1/8 HEX KEY                 | 1    | 168263    |
| 25   | LABEL, CARTON, MK-S                 | 1    | 168553    |
| 26   | NUT, HEX, NYLK, M6 - 1.0            | 1    | 168048    |
| 27   | WASHER, FENDER, 1/4 X 1             | 1    | 168049    |
| 28   | SCREW, CAP, SOC HD, M6 X 1 X 150MM  | 1    | 169050    |
| 29   | SPACER, 1/4 X 11/16 X 3/4           | 1    | 168051    |
| 30   | SPRING, TORSION, 35 IN-LB           | 1    | 168052    |
| 31   | PIN, STOP, THREADED                 | 1    | 168085    |

MK-S Scoring Saw Kit, Vacuum  
Part# 168186



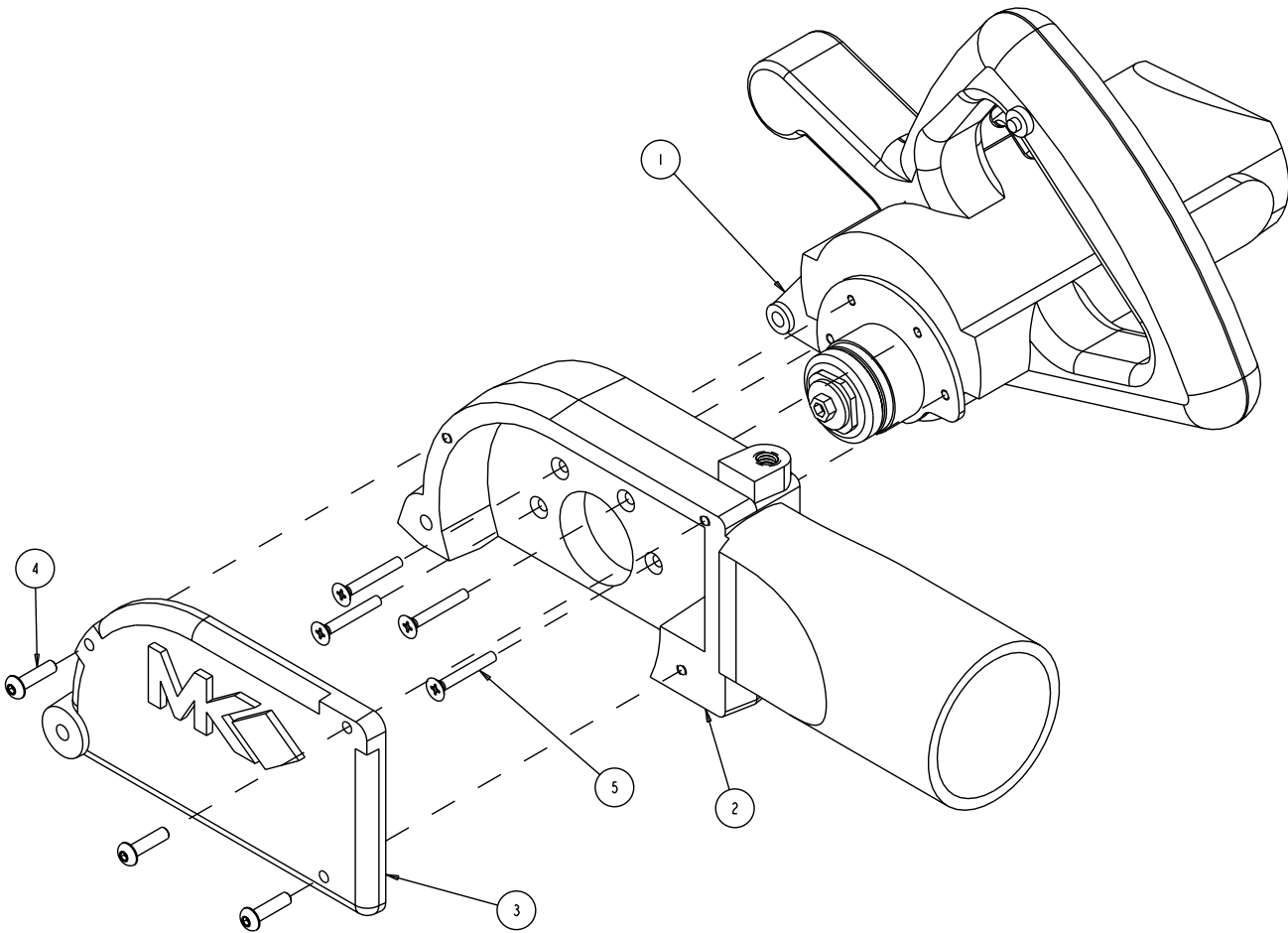
| ITEM | DESCRIPTION                        | QTY. | PART#     |
|------|------------------------------------|------|-----------|
| 1    | NUT, 3/8 - 16 HEX                  | 1    | 101188    |
| 2    | WASHER 3/8 SAE FLAT                | 4    | 150923    |
| 3    | SCREW, HEX HD, 1/4 - 20 X 3/4      | 3    | 152370    |
| 4    | NUT, 3/8 - 16 NYLOK HEX            | 1    | 152505    |
| 5    | ASSY, VACUUM PUMP W/HANDLE 110V    | 1    | 154741    |
| 6    | BOLT, 3/8 -16 X 2-1/2 HEX HEAD TAP | 1    | 155589    |
| 7    | KNOB, TRI PLASTIC MK-770 2-1/4     | 1    | 156770-04 |
| 8    | ASSY, PIVOT BAR                    | 1    | 168182    |
| 9    | ASSY, VACUUM BASE                  | 1    | 168183    |
| 10   | CASTING, BOSS, PIVOT, - COMP       | 1    | 168189    |
| 11   | CASTING, CAP, PIVOT, - COMP        | 1    | 168191    |
| 12   | BRACKET, CENTER                    | 1    | 168198    |
| 13   | ASSY, MARKER HOLDER                | 1    | 168247    |

Common Part Assy, Vacuum Pump  
w/handle 110V  
Part# 154741



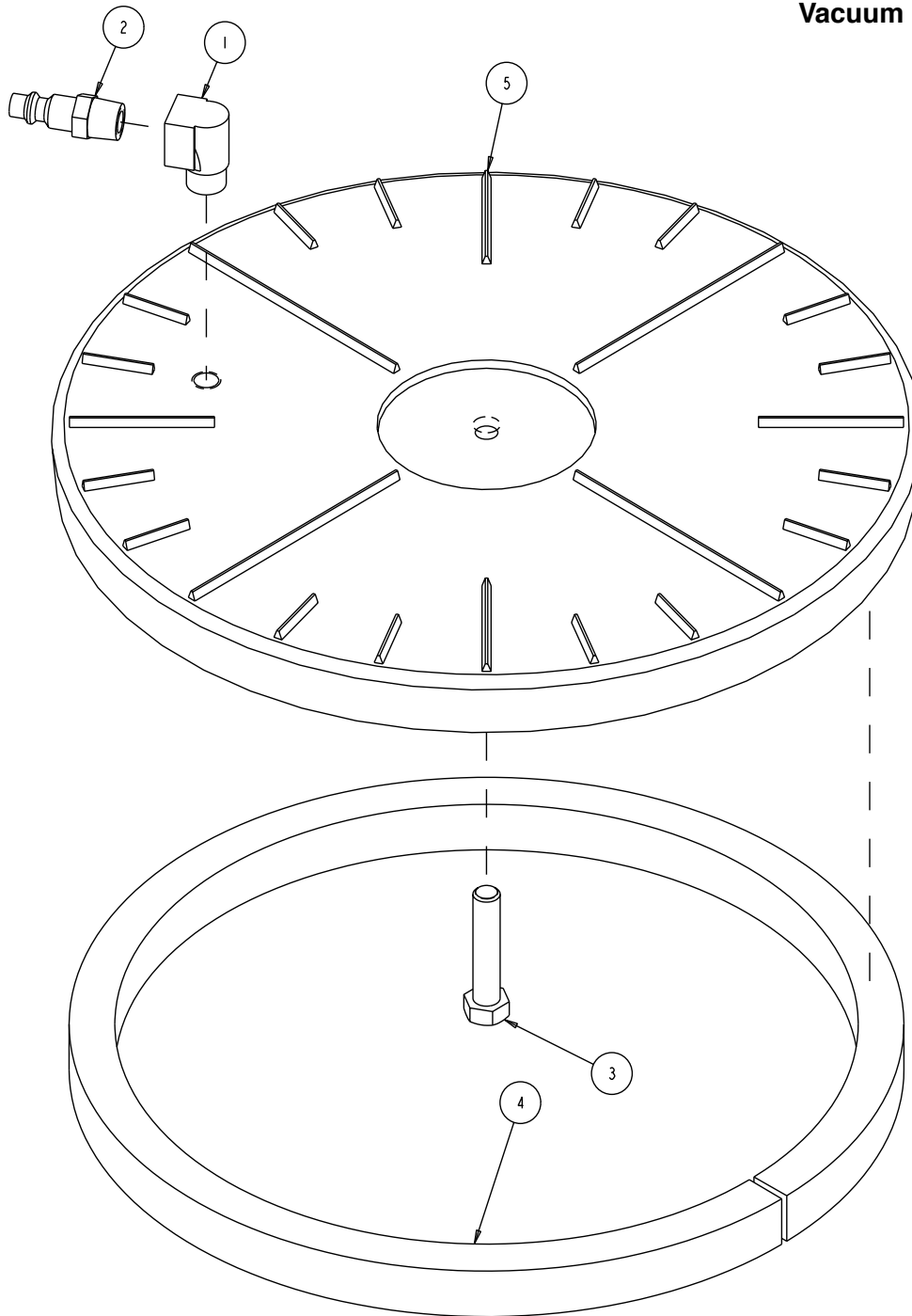
| ITEM | DESCRIPTION                                      | QTY. | PART#  |
|------|--|------|--------|
| 1    | SCREW, 10-32 X 1/2 PAN HEAD PHILLIPS MACHINE     | 4    | 151052 |
| 2    | NUT, HEX, 14 - 20                                | 4    | 151893 |
| 3    | NIPPLE, 1/4 NPT X CLOSE GALV                     | 3    | 152598 |
| 4    | PUMP, VACUUM MANTA CORE DRILL                    | 1    | 154475 |
| 5    | FILTER, WATER                                    | 1    | 154476 |
| 6    | GAUGE, VACUUM                                    | 1    | 154477 |
| 7    | VALVE, PETCOCK 1/4" MIP                          | 1    | 154488 |
| 8    | BASE, VACUUM PUMP                                | 1    | 154495 |
| 9    | BUPER, 1-12/ OD X 1/4 ID X 3/4                   | 4    | 154496 |
| 10   | FITTING, T 1/4 X 1/4 X 1/4 NPT                   | 2    | 154497 |
| 11   | ELBOW, 1/4MNPT STREET                            | 1    | 154615 |
| 12   | COUPLER, BODY 1/4 FNPT                           | 1    | 154617 |
| 13   | HOSE, AIR 3/8" ID, 6'                            | 1    | 154656 |
| 14   | SCREW, 1/4 - 20 X 3/4 FLAT HEAD PHILLIPS MACHINE | 4    | 154657 |
| 15   | FITTING, 1/4 MNPT X 3/8 BARB                     | 2    | 154659 |
| 16   | HOSE, FERRULE .625 ID BRASS                      | 2    | 154660 |
| 17   | GRIP, HANDLE 7/8 ID                              | 1    | 158608 |

Part# 168174  
Cutting Head Assembly



| ITEM | DESCRIPTION                   | QTY. | PART#  |
|------|-------------------------------|------|--------|
| 1    | SAW, MAKITA                   | 1    | 168149 |
| 2    | CASTING, MOTOR MT-COMP        | 1    | 168171 |
| 3    | CASTING, COVER, COMP          | 1    | 168173 |
| 4    | SCREW, BHCS, #10 - 24 X3/4    | 3    | 168216 |
| 5    | SCREW, FLAT HD, M4 - 7 X 30MM | 4    | 168220 |

Part# 168183  
Vacuum Base Assembly



| ITEM | DESCRIPTION                    | QTY. | PART#  |
|------|--------------------------------|------|--------|
| 1    | ELBOW, 1/4MNPT STREET          | 1    | 154615 |
| 2    | COUPLING, PLUG, 1/14 X 1/4MNPT | 1    | 154658 |
| 3    | SCREW, 3/8 -16 X 1-3/4 HEX HD  | 1    | 158398 |
| 4    | GASKET, 5/8 X 3/4 X 36         | 1    | 168185 |
| 5    | CASTING, VACUUM BASE-COMP      | 1    | 168194 |